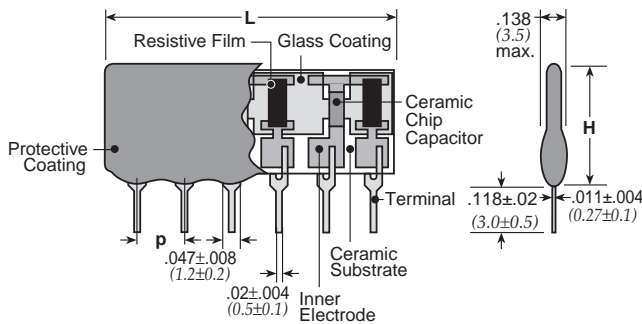


features

- Metal glaze resistors (RuO₂) provide lifetime stability
- Free from short circuit, unexpected solder melting and terminal disconnection due to the high temperature solder used to connect terminals
- Capable of reducing the numbers of parts and part insertions
- Custom orders are available
- Products with lead-free termination meet EU RoHS requirements. EU RoHS regulation is not intended for Pb-glass contained in electrode, resistor element and glass

leaded resistors

dimensions and construction



Type	Dimensions inches (mm)			
	Number of Pins	L	H	p
CRA □	5 – 9	.100xP+.024 (2.54xP+0.6)	.256 (6.5)	.100 (2.54)
CRB □	5 – 10			
CRC □	5 – 13			
CRD □	5 – 13			
CRE □	6 – 14			
CRF □	5 – 13			

□ = Number of pins

ordering information

CR	E	6	01	D
Product Code	Circuit Symbol	Number of Cells	KOA Reference Number	Terminal Surface Material
	A B C D E F M	4 – 8 (CRA) 3 – 8 (CRB) 2 – 6 (CRC, CRD CRE, CRF) Nil (CRM)		D: SnAgCu Nil: Sn/Pb

ratings

Parameter	Resistor	Capacitor
Max. Operating Voltage	50V	
Constant Range	10Ω – 1MΩ	10pF – 0.1μF
T.C.	±200x10 ⁻⁶ /K	CH, B, R*
Tolerance	±5% (J)	±5% (J) ±10% (K) ±20% (M)
Operating Temp. Range	–25°C – +85°C	
Storage Temp. Range	–55°C – +125°C	

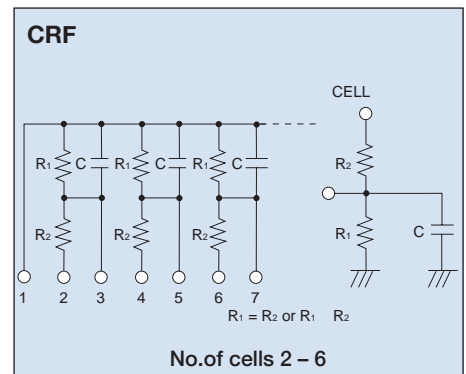
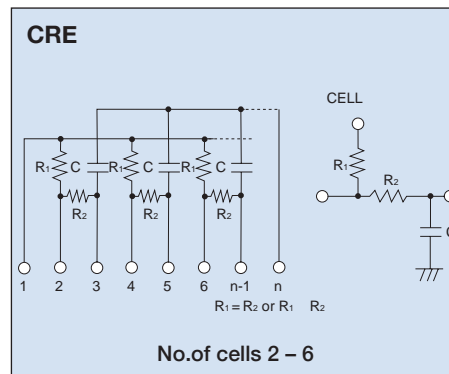
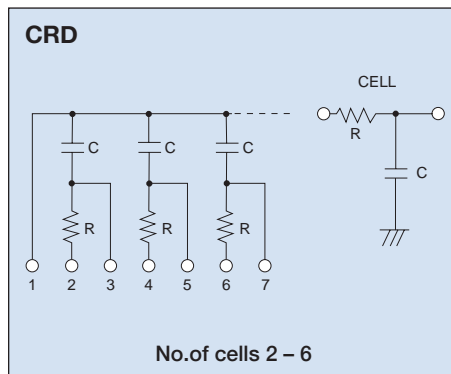
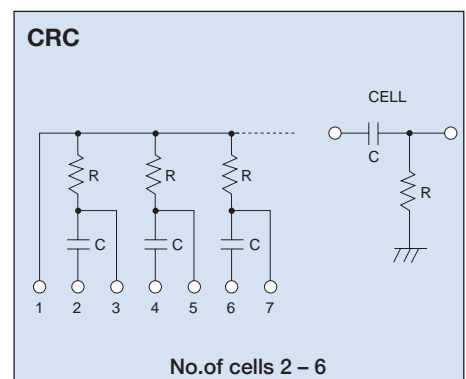
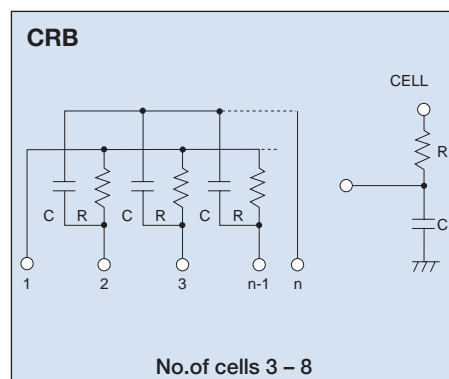
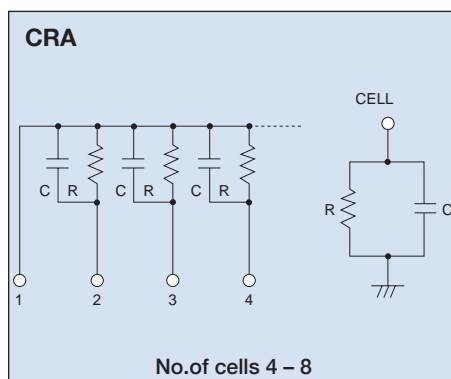
T.C. Type	T.C.			
	Reference Temp.	Temp. Range	Capacitance Change or Temp. Coefficient	Operating Temp.
CH	20°C	20°C~125°C	0±60X10 ⁻⁶ /K	–55°C~125°C
B	20°C	–25°C~85°C	±10%	–25°C~85°C
R	20°C	–55°C~125°C	±15%	–55°C~125°C

maximum wattage/package

	Number of Pins				
	5	6	7	8	9
mW/Package	500	625	750	875	1000

	Number of Pins				
	10	11	12	13	14
mW/Package	1050	1150	1250	1350	1450

circuit schematics



When ordering the CR series, please indicate the following items shown below:

For circuit code A – F, please indicate the following items:

Resistance
Capacitance
Operating voltage
Capacitance tolerance
T.C.

For circuit code M, please add the following items:

Circuit schematics
Pin layout
Dimensions
Conditions for use
Resistor (Power rating, Tolerance, T.C.R.)