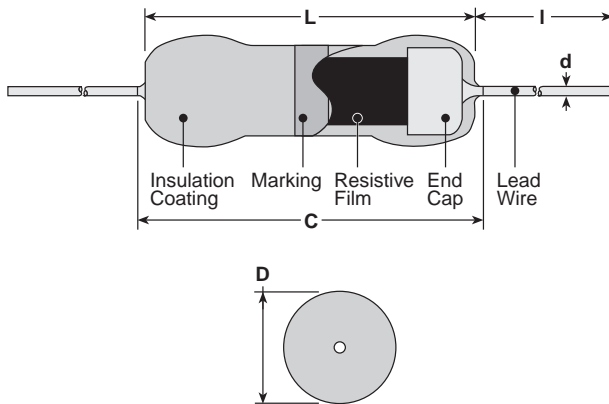


features

- Zero OHM resistors are the same shape as the CFS1/4 and CF 1/4 series
- Type Z are conformal coated
- Suitable for automatic machine insertion
- Marking: Type Z are tan color, single black band identifier
- Markings: Ivory (Z16), venetian red (Z25)
- Products meet EU RoHS requirements

Leaded resistors

dimensions and construction



Type	Dimensions inches (mm)				I ¹	
	L (ref.) ¹	C (max.)	D	d (nom.)	Standard	Long
Z16	.126±.008 (3.2±0.2)	.134 (3.4)	.067 ^{+0.008} _{-.004} (1.7 ^{+0.2} _{-.01})	.018 (0.45)	.551 Min. ² (14.0 Min.)	.787 Min. ³ (20.0 Min.)
Z25	.240±.02 (6.1±0.5)	.280 (7.1)	.091±.012 (2.3±0.3)	.024 (0.6)	1.18 ^{+1.18} _{-.16} (30.0 ^{+3.0} _{-4.0})	—
Z25Y	.228 (5.8)		.087 ^{+0.016} _{-.008} (2.2 ^{+0.4} _{-.02})			

¹ Lead length changes depending on taping and forming type.
² Forming code S is applied for bulk type.
³ Long type is custom-made.

ordering information

Z16	C	T52	A
Type	Termination Material	Taping and Forming	Packaging
Z16 Z25 Z25Y	C: SnCu	T26, T52	A: Ammo R: Reel

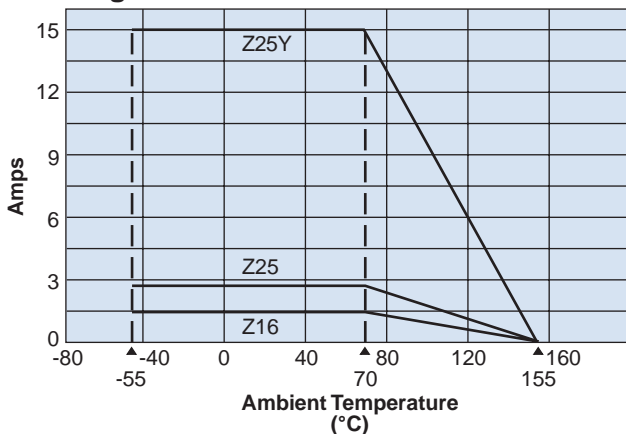
For further information on packaging, please refer to Appendix C.

applications and ratings

Part Designation	Maximum Amperage	Minimum Dielectric Withstanding Voltage	Resistance	Rated Ambient Temperature	Operating Temperature Range
Z16	1.5A	300V	20mΩ or less	+70°C	-55°C to +155°C
Z25	2.5A	500V			
Z25Y	15A	500V			

environmental applications

Derating Curve



For resistors operated at an ambient temperature of 70°C or above, a power rating shall be derated in accordance with the above derating curve.

Performance Characteristics

Parameter	Requirement	Test Method JIS C5201-1
Resistance	20mΩ or less	Measuring points are 10mm ± 1mm from the end cap
Resistance to Solder Heat		260°C ± 5°C, 10 seconds ± 1 second, 350°C ± 10°C, 3.5 seconds ± 0.5 second
Terminal Strength	No mechanical damages	(Pulling Test) Z16: 5N, 30 seconds, Z25: 10N, 30 seconds (Twist Test) 360°, 5 times (Bending Test) 5N, 90°, 2 times (Z16: 2.5N)
Rapid Change of Temperature	20mΩ or less	-55°C (30 minutes)/+125°C (30 minutes), 5 cycles
Moisture Resistance		40°C ± 2°C, 90-95% RH, 1000 hours, 1.5 hr ON, 0.5 hr OFF cycle
Endurance @ 70°C		70°C ± 2°C, 1000 hours, 1.5 hr ON, 0.5 hr OFF cycle
Solvent Resistance	No visible damages to protective coating and marking	Isopropyl alcohol with ultrasonic cleansing for 2 minutes Power: 0.3W/cm ² , f: 28kHz, Temperature: 35°C ± 5°C

leaded resistors